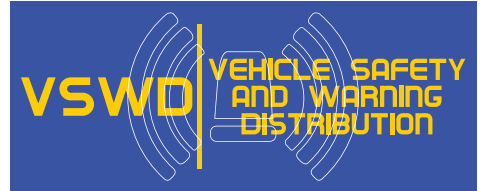
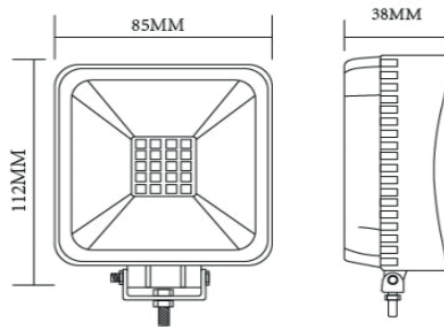


VSWD-WL632 Worklamp



R10



| Part Number | Description |
|--------------|----------------------------|
| VSWD-WL632-F | 15W SQUARE LAMP FLOOD BEAM |

| | | | |
|-------------------------|------------------|----------------------------|---------------|
| Lumens | 1800 | Approvals | ECE R10 |
| Voltage | 10-30v | IP Rating | IP67 |
| LEDs | 12 LEDs | Beam Pattern | Flood |
| Mounting | Bracket Mounting | Additional Features | |
| Dimensions | See Above | Box Qty | 40 |
| Housing Material | Aluminium | Lens Material | Polycarbonate |